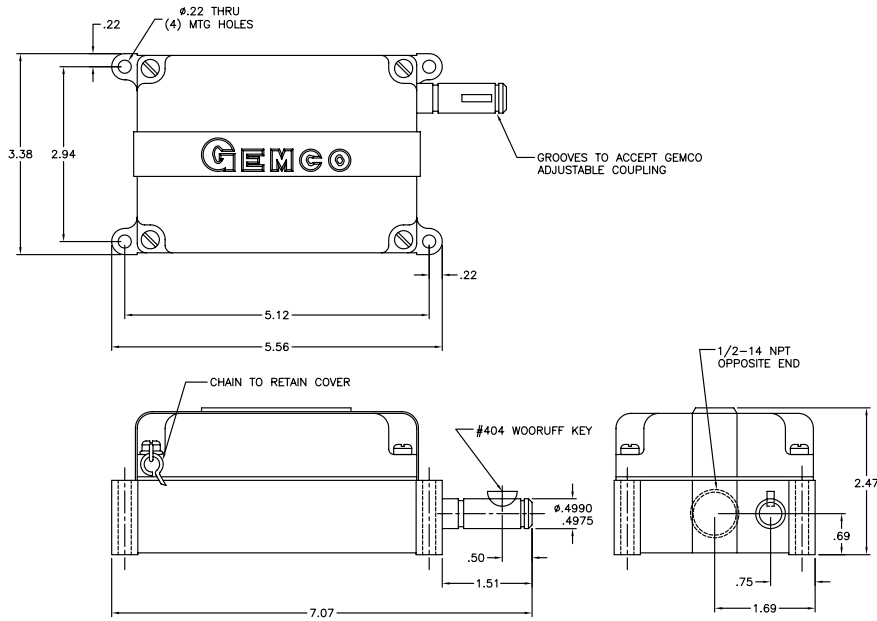


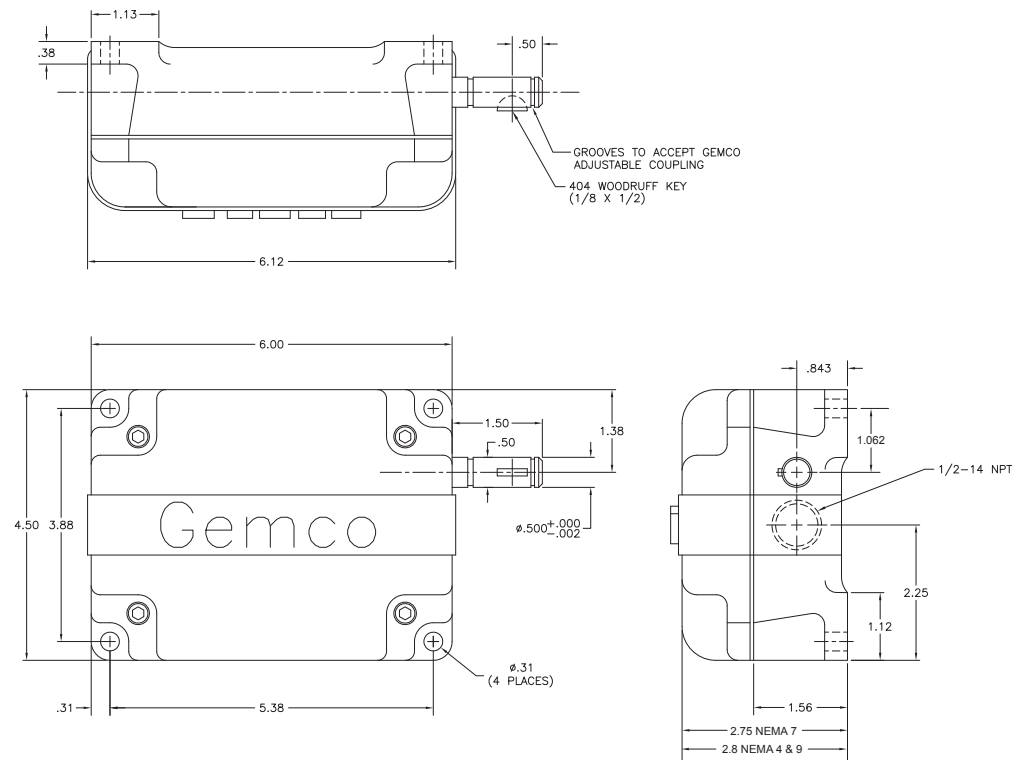
## DIMENSIONS - WORM GEARTYPES - NEMA 12, 4, 7 & 9

### WORM GEAR TYPE (NEMA 12)



Approximate shipping weight – 2 lbs.

### WORM GEAR TYPE (NEMA 4, 7 & 9)



**NOTES:**

- 1) NEMA 7 ENCLOSURE FOR USE IN CLASS I, GROUP D LOCATIONS ONLY.
  - 2) NEMA 9 ENCLOSURE FOR USE IN CLASS II, GROUP E,F,G LOCATIONS ONLY.
- Approximate shipping weight – 5 lbs.